

# Product data sheet

## Characteristics

# XVS14BMW

## Harmony XVS, N/A

Product availability: Stock - Normally stocked in distribution facility

Price\*: 360.00 USD



### Main

Range of product	Harmony XVS
Product or component type	Multisound siren
Device short name	XVS

### Complementary

Color	White
Material	ASA (Acrylonitrile Styrene Acrylate) front ASA (Acrylonitrile Styrene Acrylate) back PC (polycarbonate): back cover
Net weight	2.20 Lb(US) (1 kg)
Marking	CE
Mounting support	Bracket
Fixing mode	3 holes Ø 9 mm
[Uimp] rated impulse withstand voltage	0.8 KV
Current consumption	350 mA 24 V 250 mA 12 V
Electrical connection	Cable 0.26...0.33 in (6.5...8.5 mm), 0.00 in <sup>2</sup> (0.33 mm <sup>2</sup> ) / AWG 22 signalling circuit) Cable 0.26...0.33 in (6.5...8.5 mm), 0.00 in <sup>2</sup> (0.52 mm <sup>2</sup> ) / AWG 20 power circuit)
Width	5.51 In (140 mm)
Height	4.49 In (114 mm)
Depth	8.78 In (223 mm)

### Environment

Signalling type	43 tones siren
Standards	EN 61000-6-2 EN 55014-2 EN 55022 EN 61000-6-3
Product certifications	UL
Protective treatment	TC
Ambient air temperature for storage	-31...158 °F (-35...70 °C)
Ambient air temperature for operation	14...122 °F (-10...50 °C)
Overvoltage category	Class II EN/IEC 61140
IP degree of protection	IP53 conforming to EN/IEC 60529

[Us] rated supply voltage	12 V DC 24 V DC
Noise level	0...105 DB continuous or intermittent tone)1 m

### Ordering and shipping details

Category	22617 - XVC TOWER LIGHTS
Discount Schedule	XV
GTIN	03606480032943
Nbr. of units in pkg.	1
Package weight(Lbs)	3.02 Lb(US) (1.37 kg)
Returnability	Yes
Country of origin	ID

### Packing Units

Package 1 Height	3.000 Dm
Package 1 width	1.800 Dm
Package 1 Length	1.850 Dm

### Offer Sustainability

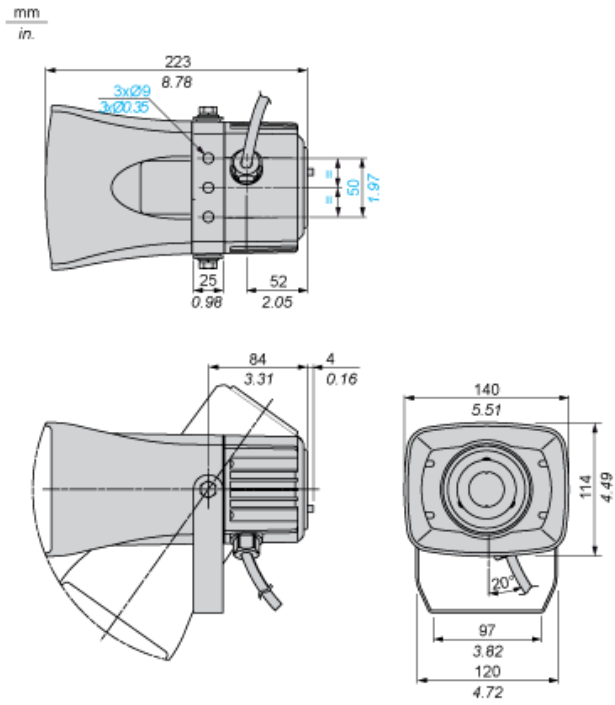
California proposition 65	WARNING: This product can expose you to chemicals including: Lead and lead compounds, which is known to the State of California to cause cancer and birth defects or other reproductive harm. For more information go to <a href="http://www.P65Warnings.ca.gov">www.P65Warnings.ca.gov</a>
EU RoHS Directive	Pro-active compliance (Product out of EU RoHS legal scope) <a href="#">EU RoHS Declaration</a>
Mercury free	Yes
RoHS exemption information	<a href="#">Yes</a>
China RoHS Regulation	<a href="#">China RoHS Declaration</a>
Environmental Disclosure	<a href="#">Product Environmental Profile</a>
Circularity Profile	<a href="#">End Of Life Information</a>

### Contractual warranty

Warranty	18 months
----------	-----------

Siren

Dimensions



Product Life Status : Commercialised